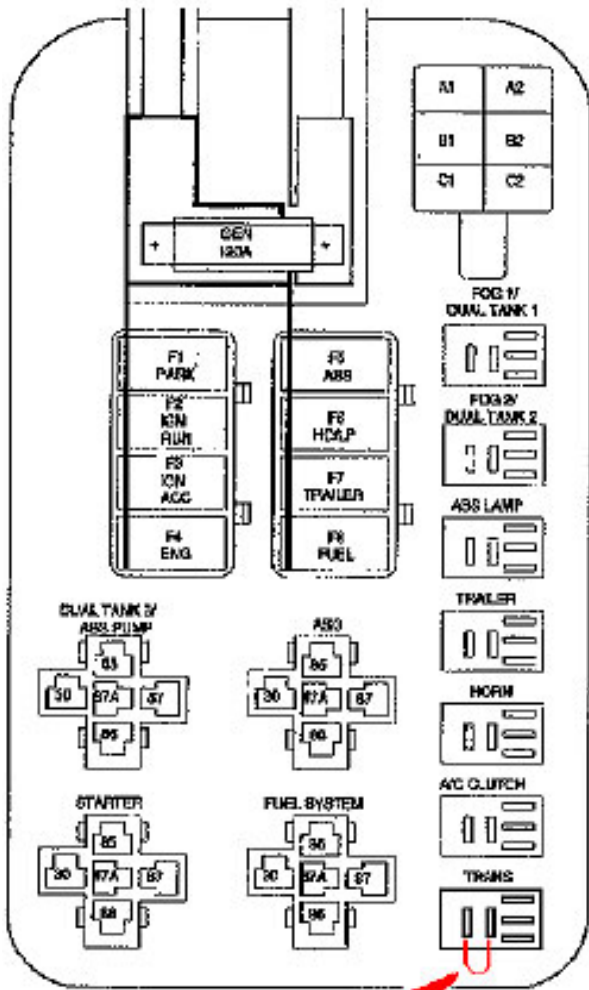


Install the jumper wire in place of the trans relay in the Power Distribution Center (black box behind driver side battery) as shown in the diagram below. This jumper wire will supply 12 volt positive to the transmission torque converter clutch solenoid. This jumper will be electrically hot thus it should be installed so as not to short against ground.

Install the ground wire from the B11 orange wire with black stripe to a switch or relay such that the ground source can be turned on and off. The B11 wire is located in the middle computer connector located on the firewall behind the air cleaner.

Driver must ground the B11 wire, have the gear selector in DRIVE, and be moving fast enough to be in second gear before the torque converter clutch will engage. Transmission will shift from 2nd to 3rd and 3rd to 4th (unless overdrive is off) with the torque converter clutch locked. Once in 4th gear, the transmission will not downshift unless the ground source is interrupted, i.e. the switch is turned off.

Note: Some Rams built between 9-95 and 4-96 have computer programming that doesn't permit this lockup feature to work as described above. Dodge dealers have the ability to reflash the computer to a newer program which prevents hunting among 3rd, 4th and lockup, and allows this added lockup switch to function.



Add Jumper Wire  
Do NOT Reinstall Relay

Power Distribution Center  
Next to Driver Side Battery